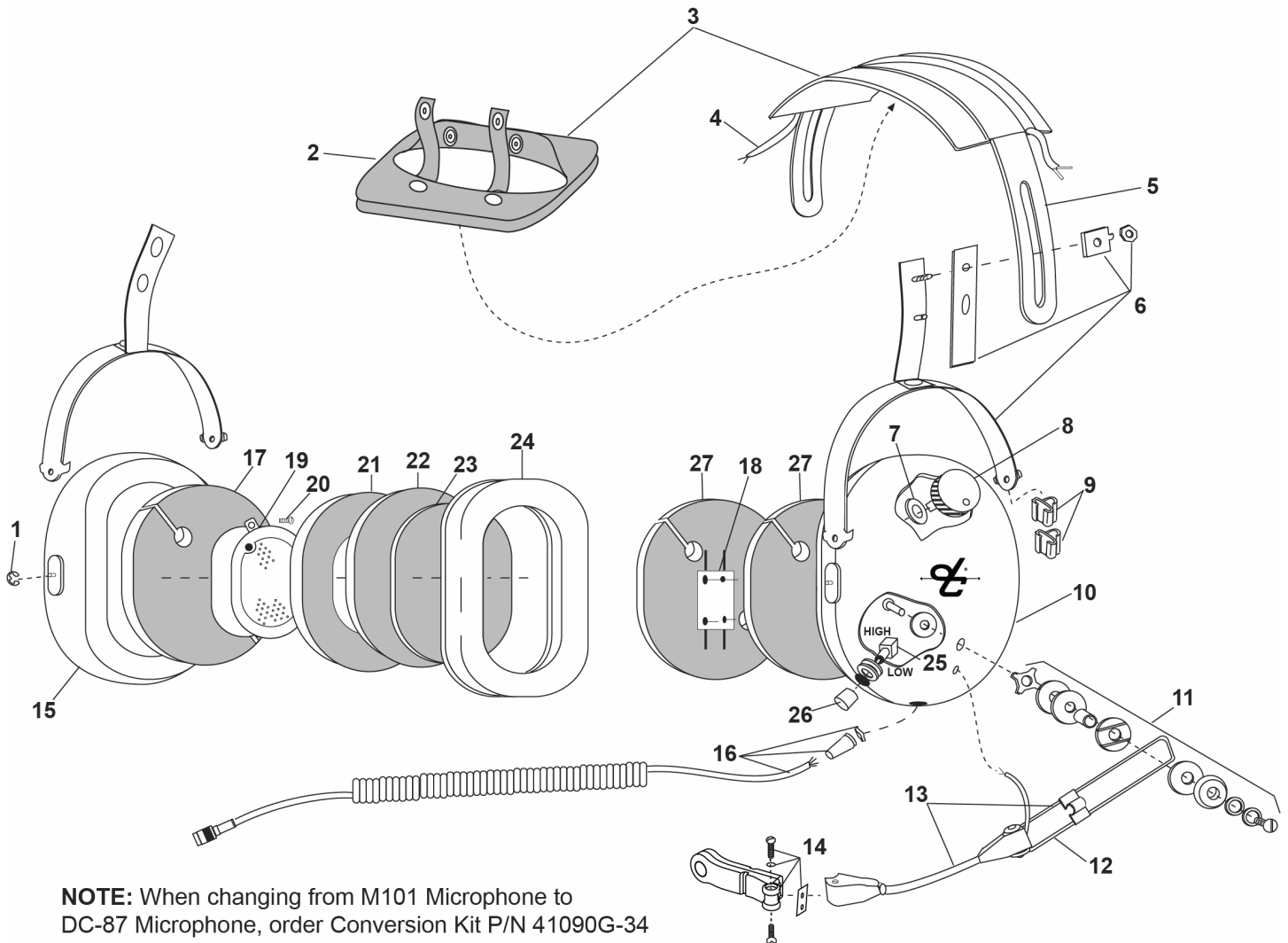


**PARTS LIST
MODEL H10-66X**


NOTE: When changing from M101 Microphone to DC-87 Microphone, order Conversion Kit P/N 41090G-34

No.	Description	Part No.
1	Retaining Ring (10/pk)	00009M-03
2	Headpad Restraint, Foam	40266G-01
3	Headpad Assembly	18900G-45
4	Overhead Cord Kit	22607G-12
5	Headband Spring	15093P-01
6	Stirrup & Clamp Kit	22378G-12
7	O-Ring	09565P-24
8	Volume Control	09349P-59
9	Clip, Cord (4/pk)	15125P-02
10	Left Dome	11353P-56
11	Boom Attachment Kit	12840G-09
12	Microphone Boom Assy	18688G-07
13	Boom Assembly	18740G-09
14	Microphone DC-87	09168P-88

No.	Description	Part No.
15	Right Dome	11353P-55
16	Comm Cord Kit	40599G-04
17	Filter, Outer, Yellow (1 each)	15511P-02
18	Amplifier	41087G-01
19	Module with Bracket	15507P-10
20	Screws (10/pk)	13180P-03
21	Filter, Middle, Charcoal (1 each)	15510P-04
22	Filter, Inner (1 each)	15509P-02
23	Filter (Left)	15512P-03
24	Undercut Gel Earseal (pair)	40863G-02
25	Toggle Switch Assy	18624G-23
26	Switch Guard	13148P-01
27	Filter, Outer, Yellow (1 each)	15511P-01

ELECTRICAL SCHEMATIC MODEL H10-66X

